



/ Classic Citybike 350

Universal and budget-friendly bicycle stand, a classic!

/ GENERAL

This simple but durable model has already proven its value over the years. Each module is equipped with front wheel supports in the high-low position making it easier to park the bicycle. The bicycle stand is modular and is available in a single or double-sided version. There are two different types available for this model: one for city bicycles, the other for mountain bikes. In addition, thanks to the standard shaft spacing, you can enjoy basic user comfort.



/ DATASHEET

Structure

- Bended tube wheel holder (Dxd = 18 x 2 mm)
- Frame in L-profile (HxWxd = 35x35x3mm)

Material

- Steel

Versions

Center distance 350mm

- Single-sided arrangement: 2/3/4/6 bicycle places
- Double-sided arrangement: 2 + 2/3 + 3/4 + 4/6 + 6 bicycle places

Lock attachment point

- Lock
- Comfortlock
- Safelock

Options

- L-profile for an additional modul of 40mm

Dimensions

Single & double sided (max.tyre thickness 41mm)

- 2/2 + 2 bicycle places: LxWxH = 700x566 / 762x414mm
- 3/3 + 3 bicycle places: LxWxH = 1050x566 / 762x414mm
- 4/4 + 4 bicycle places: LxWxH = 1400x566 / 762x414mm
- 6/6 + 6 bicycle places: LxWxH = 2100x566 / 762x414mm

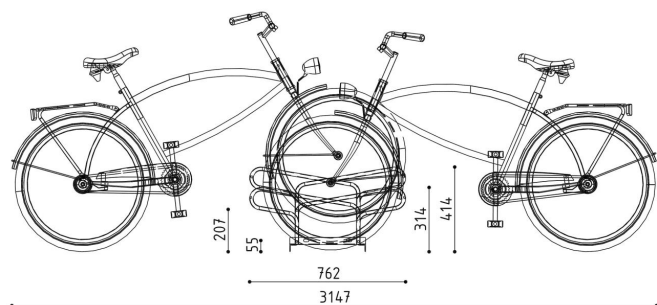
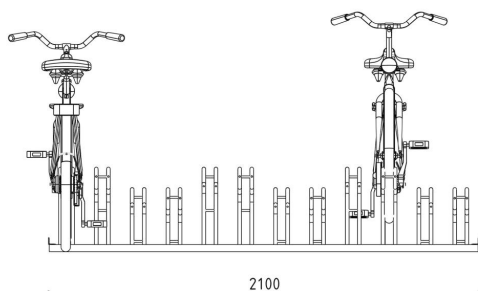
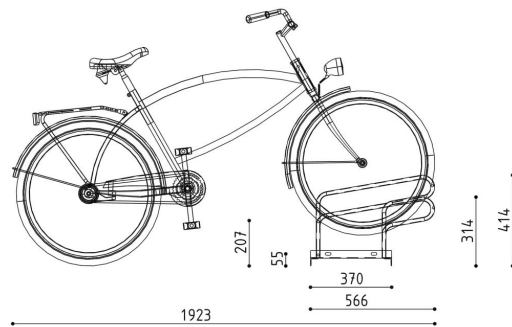
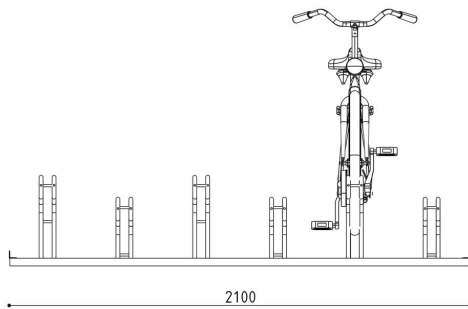
Surface treatment

- Hot-dip galvanized steel

Anchoring

On base plates

- Directly on the pavement by means of wedge bolts
- With wood threaded bolts and nylon plugs on 2 concrete blocks 30x30x40cm
- By chemical anchoring



/ INSPIRE



