



**/ Forever 400**  
**So durable, so eternal**

# / GENERAL

Forever is an extremely robust bicycle rack. The wheel supports end in a U-profile which ensures safe and optimal storage of bicycles. The wheel is not clamped but rests, as it were, in the front wheel support. In addition, the model is provided with attachment features. The sturdy material used for Forever and the stable support legs guarantee extra durability, making it very suitable for intensive use and making it extremely vandal-resistant. Forever is available in single and double-sided version.



# / DATASHEET

## Structure

- Wheel holder in round steel (D = 14mm) and rectangular U-profile (HxWxd = 40x50x4mm)
- Centered tube bracket (Dxd = 42.4x3.2mm)
- Round steel connecting bracket (D = 18mm)
- Support structure in square profile (HxWxd = 60x60x3mm) & flat steel (Wxd = 60x8mm)
- Base plates (LxWxH = 500x100x10mm)

## Material

- Steel

## Versions

Center distance 400mm

- Single-sided arrangement:
  - Basic module: 4/6/8 bicycle places
  - Add-on module: 4/6/8 bicycle places
- Double-sided setup:
  - Basic module: 4 + 4/6 + 6/8 + 8 bicycle places
  - Add-on module: 4 + 4/6 + 6/8 + 8 bicycle places

## Connecting options

- Yes

## Dimensions

Single & double sided (max.tire thickness 64mm)

Basic module

- 4/4 + 4 bicycle places: LxWxH = 1700x1206 / 1732x1195mm
- 6/6 + 6 bicycle places: LxWxH = 2500x1206 / 1732x1195mm
- 8/8 + 8 bicycle places: LxWxH = 3300x1206 / 1732x1195mm

Add-on module

- 4/4 + 4 bicycle places: LxWxH = 1620 x1206 / 1732x1195mm
- 6/6 + 6 bicycle places: LxWxH =2420x1206 / 1732x1195mm
- 8/8 + 8 bicycle places: LxWxH = 3220x1206 / 1732x1195mm

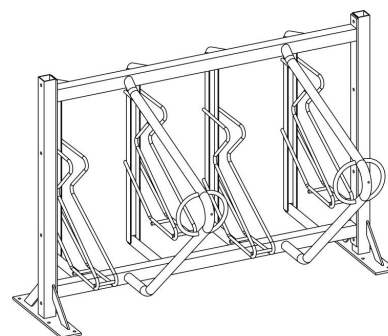
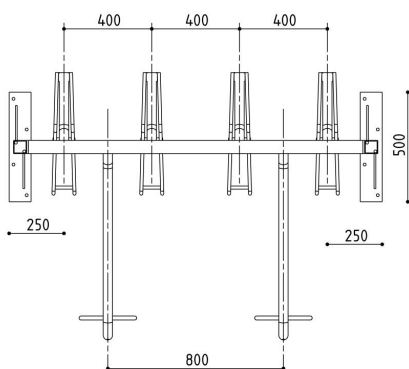
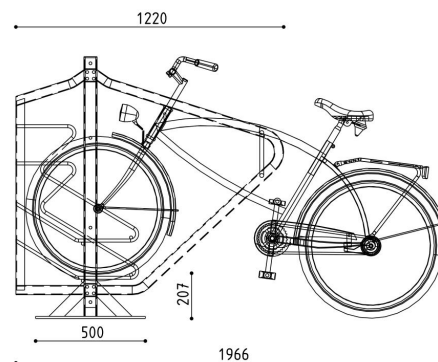
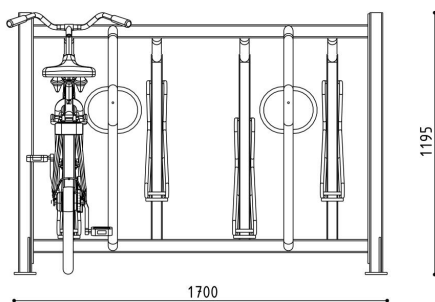
## Surface treatment

- Hot-dip galvanized steel

## Anchoring

Base plates

- With screws and plugs on 2 concrete blocks 30x30x40cm
- Directly on the pavement by means of wedge bolts
- By chemical anchoring



# / INSPIRE



